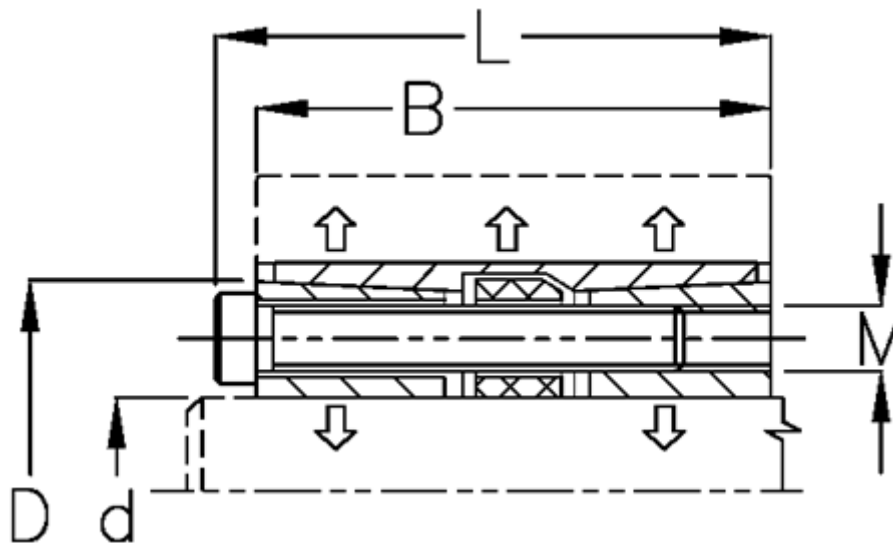


Article number: 439000070

Description: Rota-fix shaft-hub connection G70x110

Note: Self centering - very high torque

## Measures



|   |                    |
|---|--------------------|
| B mm  | = 102              |
| d H8 mm   | = 70               |
| D mm  | = 110              |
| Fit tolerance                                     | = Aksel h8, Nav H8 |
| F kN torque                                       | = 350              |
| L mm  | = 112              |
| M mm  | = M10              |
| P N/mm <sup>2</sup> surface pressure on shaft/hub | = 75               |

|                               |                    |
|-------------------------------|--------------------|
| Surface roughness             | = R? ? 3.2 $\mu$ m |
| T N m torque                  | = 10300            |
| Ts N m bolt tightening torque | = 83               |